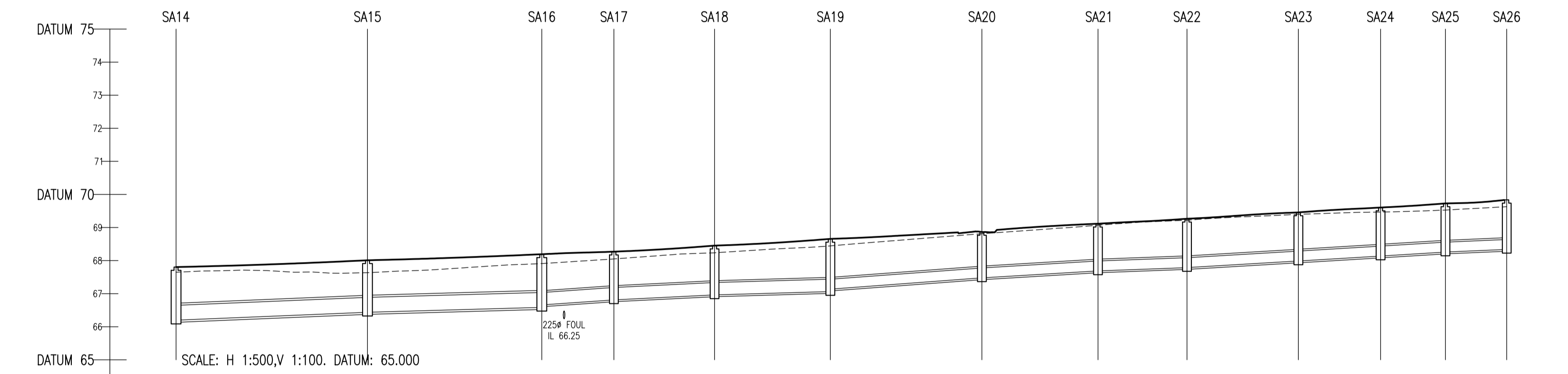
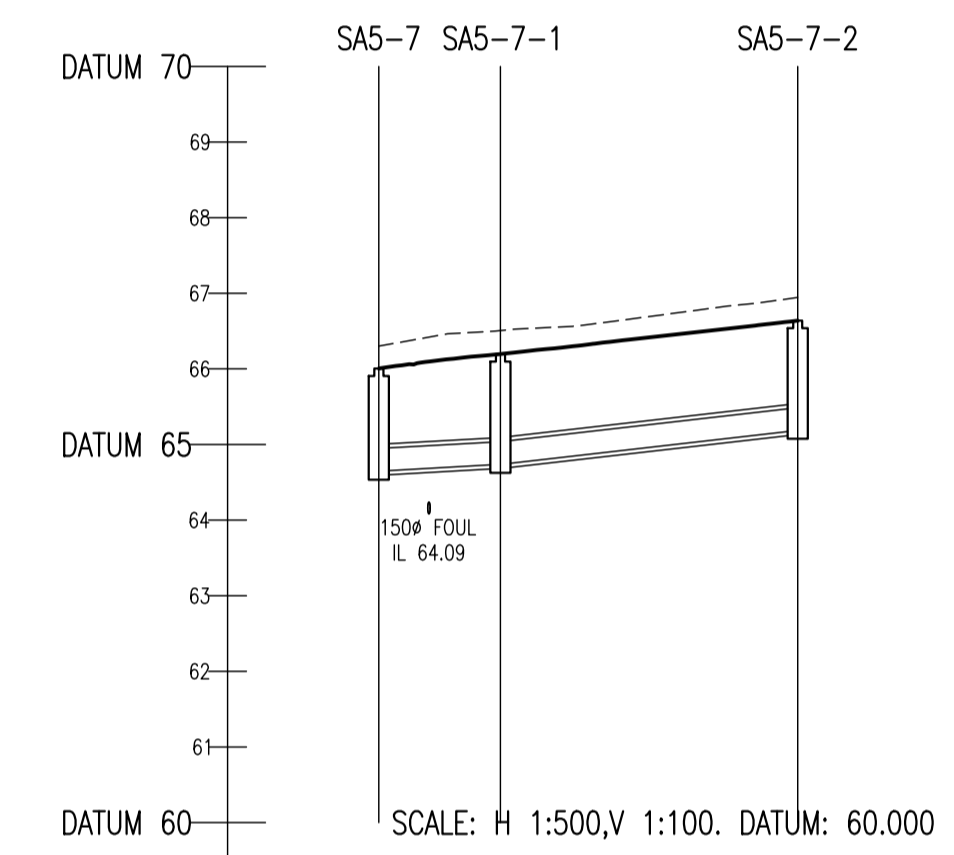


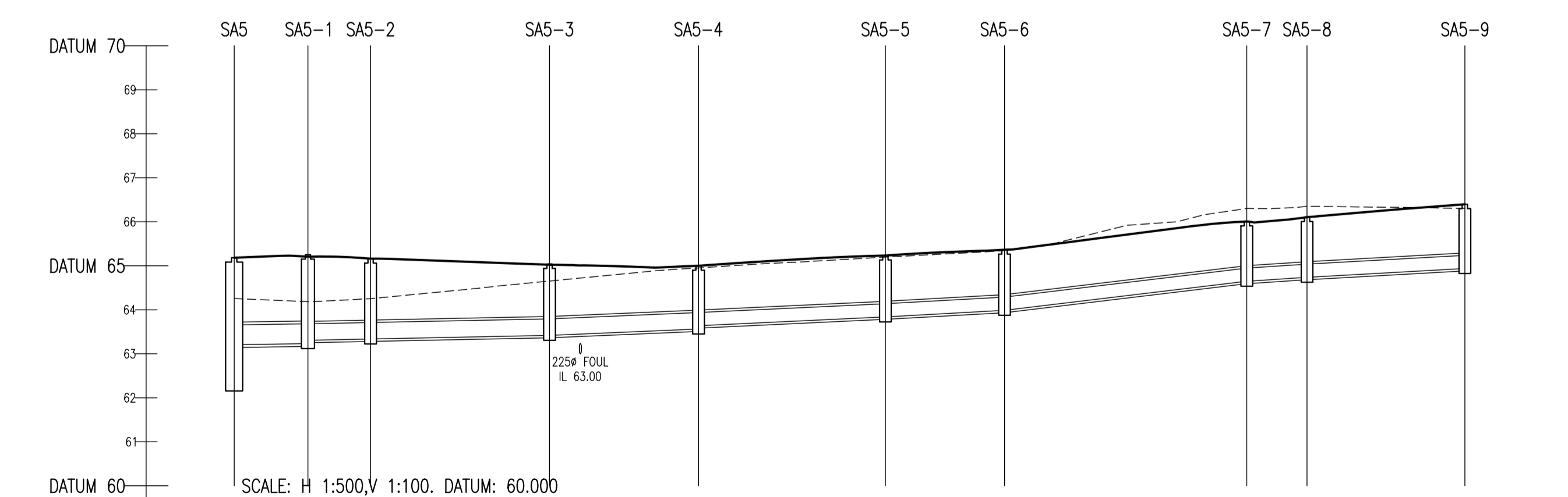
COVER LEVEL	62.550	64.700	64.700	64.200	65.183	64.999	66.080	66.578	67.095	67.362	67.468	67.560	67.622	67.805
INVERT LEVEL	62.132	62.160	62.203	62.241	62.306	62.326	63.664	63.828	64.004	64.386	64.558	64.776	64.912	65.198
DEPTH (m)	1.831	2.502	2.497	1.959	2.877	2.632	2.379	2.712	3.053	2.938	2.873	2.747	1.571	1.570
DISTANCE (m)	8.49	4.56	3.89	30.80	58.27	54.77	13.23	14.10	30.57	16.05	15.06	13.17	20.10	
PIPE SLOPE	1:300	1:900	1:900	1:900	1:900	1:67	1:80	1:80	1:80	1:94	1:69	1:146	1:183	
PIPE SIZE	375mm	900mm	900mm	900mm	900mm	900mm	525mm	525mm	525mm	525mm	525mm	525mm	450mm	



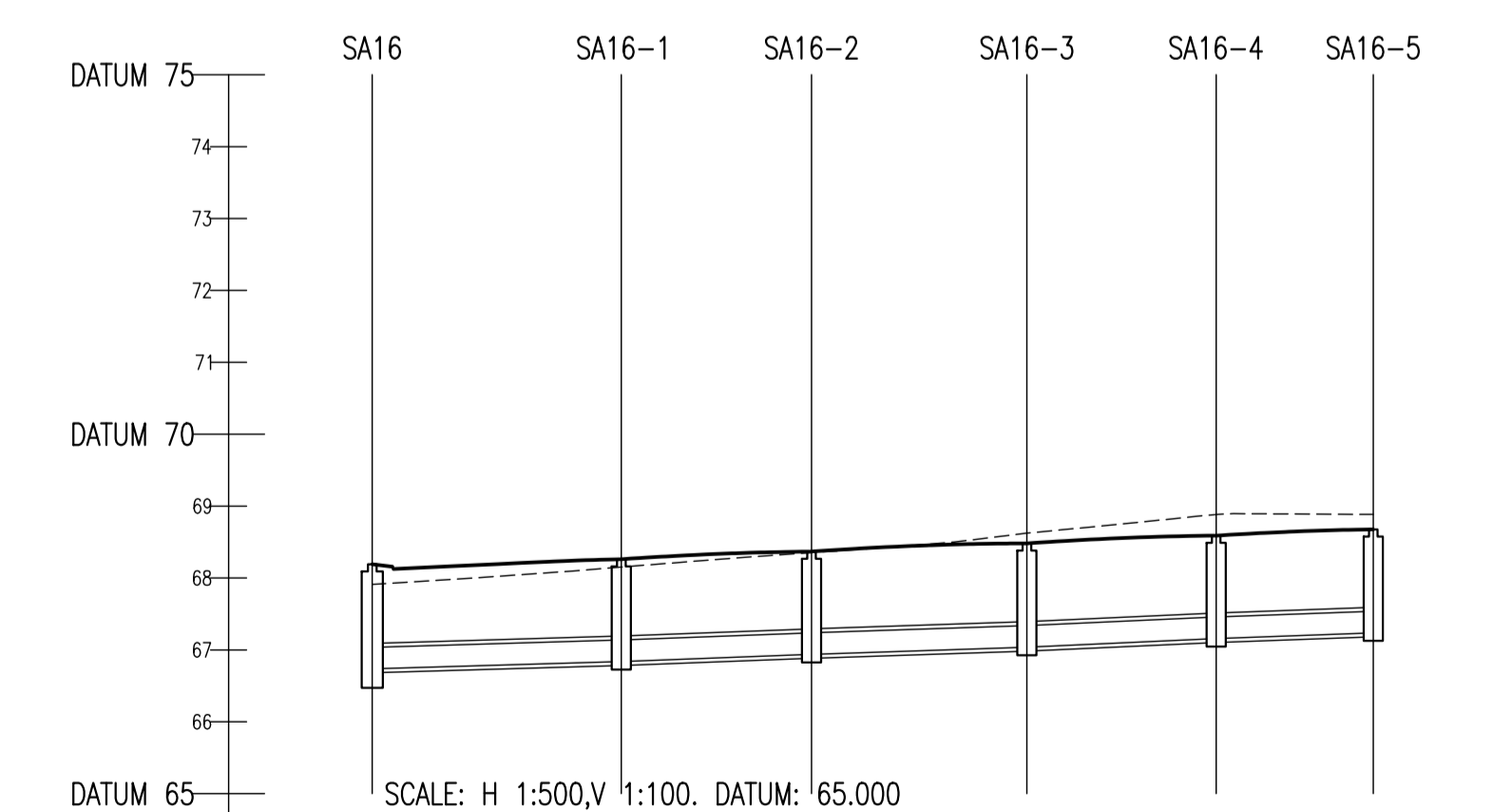
COVER LEVEL	67.805	68.010	68.191	68.270	68.453	68.657	68.865	69.115	69.456	69.605	69.720	69.837
INVERT LEVEL	66.196	66.438	66.660	66.812	66.962	67.082	67.138	67.208	67.296	67.338	67.358	67.338
DEPTH (m)	1.570	1.535	1.568	1.421	1.453	1.557	1.350	1.390	1.431	1.430	1.435	1.462
DISTANCE (m)	28.92	26.33	10.88	15.21	17.49	22.89	17.53	13.44	16.83	9.80	9.25	
PIPE SLOPE	1:121	1:178	1:72	1:101	1:175	1:67	1:83	1:134	1:83	1:82	1:116	
PIPE SIZE	450mm	450mm	375mm	375mm	375mm	300mm	300mm	300mm	300mm	300mm	300mm	



COVER LEVEL	66.006	66.196	66.639
INVERT LEVEL	64.648	64.738	65.198
DEPTH (m)	1.321	1.421	1.414
DISTANCE (m)	8.04	19.66	
PIPE SLOPE	1:89	1:44	
PIPE SIZE	300mm	300mm	

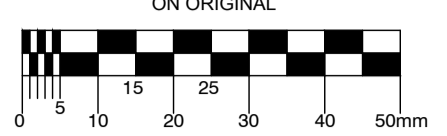


COVER LEVEL	65.183	65.250	65.161	65.040	65.000	65.231	65.365	66.006	66.103	66.398
INVERT LEVEL	63.002	63.232	63.340	63.418	63.592	63.838	63.988	64.648	64.738	64.938
DEPTH (m)	2.877	1.981	1.788	1.584	1.408	1.396	1.376	1.321	1.328	1.423
DISTANCE (m)	8.37	7.11	20.32	16.92	21.21	13.53	27.51	6.84	17.92	
PIPE SLOPE	1:325	1:245	1:245	1:118	1:106	1:90	1:42	1:76	1:90	
PIPE SIZE	450mm	375mm	375mm	375mm	300mm	300mm	300mm	300mm	300mm	



COVER LEVEL	68.191	68.261	68.368	68.461	68.589	68.676
INVERT LEVEL	66.726	66.838	66.938	67.038	67.158	67.238
DEPTH (m)	1.588	1.396	1.393	1.406	1.394	1.401
DISTANCE (m)	17.33	13.23	14.99	13.17	10.93	
PIPE SLOPE	1:170	1:132	1:150	1:110	1:137	
PIPE SIZE	300mm	300mm	300mm	300mm	300mm	

© COPYRIGHT OF THIS DRAWING IS RESERVED BY DBFL CONSULTING ENGINEERS. NO PART SHALL BE REPRODUCED OR TRANSMITTED WITHOUT THEIR WRITTEN PERMISSION.



- NOTES:
- ALL DRAWINGS TO BE CHECKED BY CONTRACTOR ON SITE AND ENGINEER INFORMED OF DISCREPANCIES BEFORE WORK COMMENCES
 - ALL LEVELS ARE IN METRES AND ARE RELATED TO ORDNANCE DATUM
 - CONTRACTOR SHALL SATISFY HIMSELF AS TO THE ACCURACY OF PAVEMENT LEVELS ON SITE PRIOR TO COMMENCEMENT OF WORKS ON SITE
 - ALL WORKS TO BE CONSTRUCTED IN ACCORDANCE WITH THE NRA SPECIFICATION FOR ROAD WORKS UNLESS NOTED OTHERWISE
 - THIS DRAWING IS FOR PLANNING PURPOSES ONLY
 - MANHOLE COVER LEVELS ARE TO CONFORM WITH FINISHED ROAD AND PATH LEVELS
 - WHERE COVER TO PIPE IS LESS THAN 1200mm (ROAD/PATH/VERGE) OR 900mm (OPEN SPACE) SURROUND PIPE IN MINIMUM 150mm CONCRETE

KEY
 - - - - - EXISTING GROUND PROFILE
 _____ PROPOSED GROUND PROFILE

REV	DATE	DESCRIPTION	BY	CHKD
P1	17/12/19	PLANNING ISSUE	PJC	BCM

STAGE 2 - PLANNING

DESIGNED	BCM	PREPARED	PJC
DATE	OCT 2019	CHECKED	DJR

DBFL
 Dublin Office: Ormrod House, Upper Ormrod Quay, Dublin 7, Ireland. PHONE +353 1 400 4000 FAX +353 1 400 4050
 Waterford Office: Unit 2, The Chandlery, 1-2 O'Connell Street, Waterford, Ireland. PHONE +353 51 338 550 FAX +353 51 844 913

DBFL Consulting Engineers email: info@dbfl.ie site: www.dbfl.ie

PROJECT
NEWTOWNMOYAGHY SHD

DRG. TITLE
LONGITUDINAL SECTIONS THROUGH SURFACE WATER SHEET 1 OF 6

CLIENT
MCGARRELL REILLY